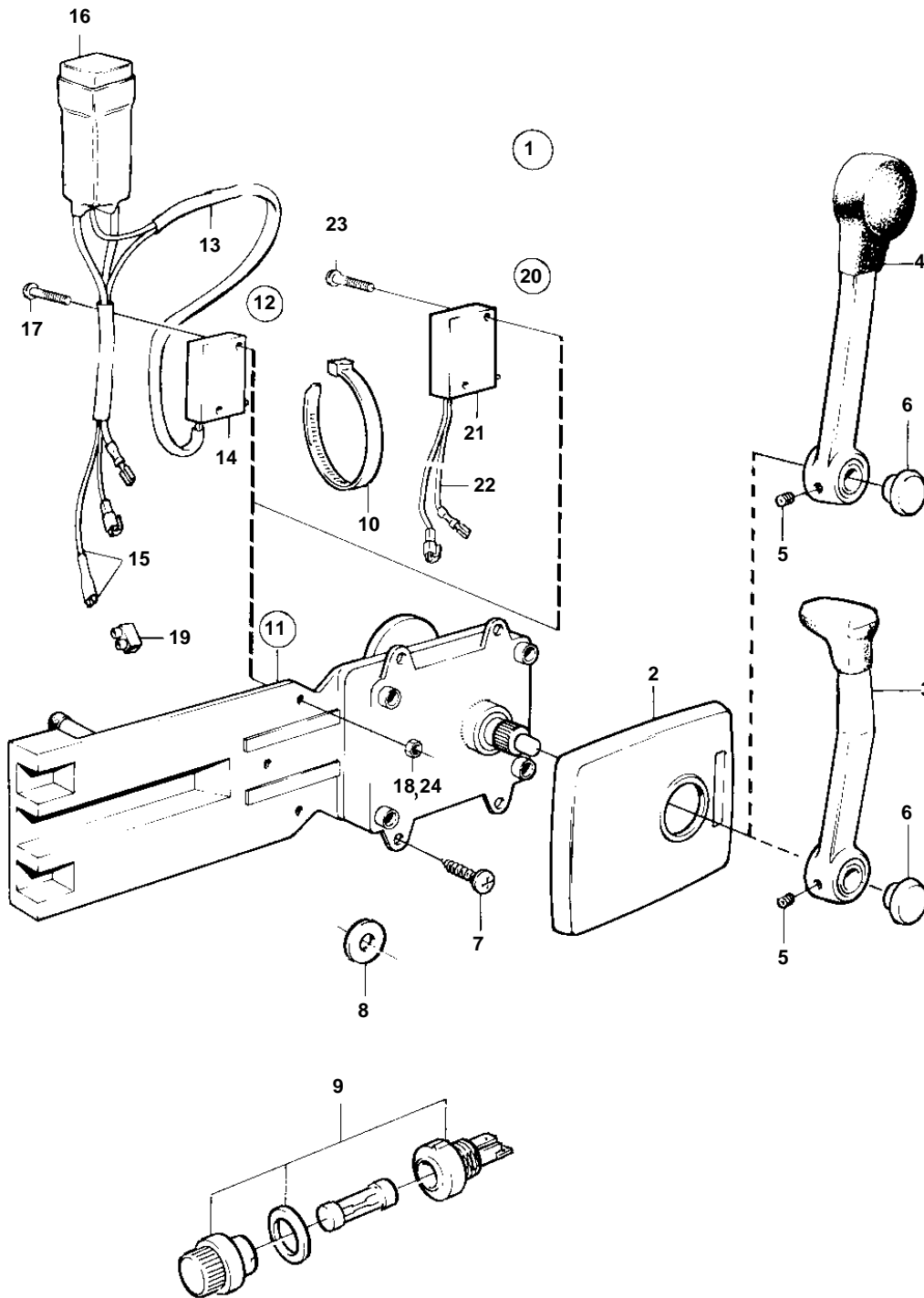


COMMON



8886

## COMMON

REF	PART NO.	QTY	DESCRIPTION	NOTES
1	1140092	1	Mounting kit	
2	853713	1	· Cover	
3	839520	1	· Lever	
5	839693	1	· · Lock screw	
7	961330	4	· Screw	
8	1140094	1	· Washer	
11	1140095	1	Control mechanism	
12	855352	1	Neutral posit contac	
13	839619	1	· Cable kit	
14	850200	1	· · Switch	
15		X	· · CABLES AND TERMINALS	SEE GROUP 3
16	876037	1	· Relay kit	
17	946177	2	· Screw	
18	947536	2	· Nut	
19	182009	1	· Coupling piece	
20	828414	1	Neutral posit contac	MAIN STATION.
	828378	1	Switch	SECOND STATION.
21	850200	1	· Switch	
22		X	· · CABLES AND TERMINALS	SEE GROUP 3
23	946177	2	· Screw	
24	947536	2	· Nut	